

Masport®

OPC ROTARY MOWERS

SERIES 21 - OPC

	<u>Part number</u>	<u>Model</u>	<u>Engine</u>
MASPORT	579989	800ST MSV SPV	B & S XVS 60

Month and Year of First Manufacture - July 2009
SERIAL NUMBER FROM - 7235309



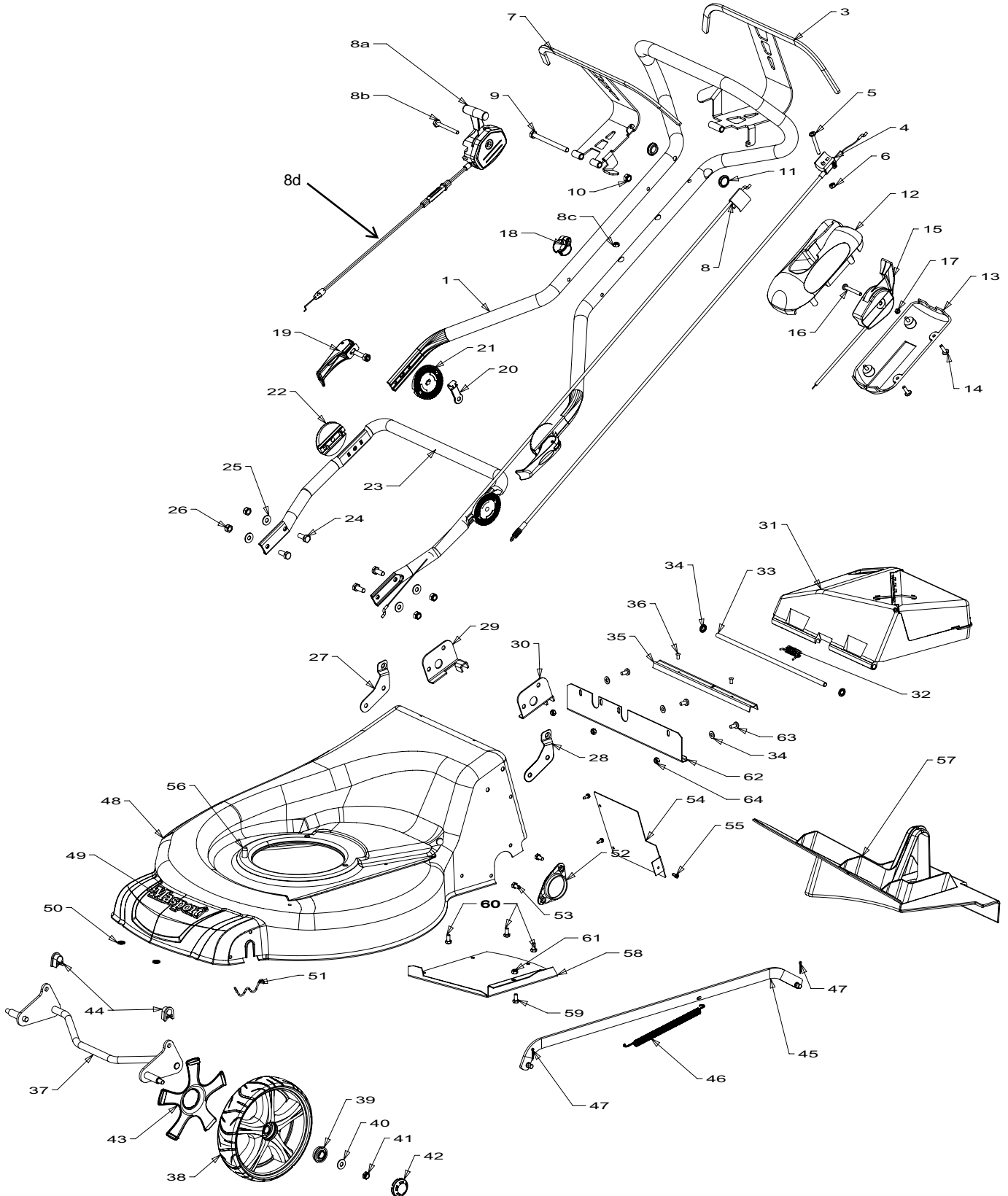
*Note: Photo Shows
Single Speed Mower*



800ST MSV SPV
Powered by: B & S XVS 60

Masport

Issue B
July 2011 BH
REF # 779989S



When ordering PLEASE QUOTE PART NUMBER & Description, NOT Illustration No.
Determine right or left hand side from standing in operating position (standing at handle)



800ST MSV SPV
Powered by: B & S XVS 60

Masport

Issue B
July 2011 BH
REF # 779989S

Item No	Part No	Description	Qty	Item No	Part No	Description	Qty
1	779071	Handle & Sleeve Assy, OPC	1			__==__	
3	979279	Bail Arm Assy, SP MSV	1	37	583281	Axle Assy, Front 200mm Thrd	1
4	583570	Cable- Clutch, Thumb Wheel	1	38	579203	Wheel Assy- 200mm BB Mag Slv	2
5	503604	Screw, Pan M6x45 Poz ZP	1	39	551212	Bearing- Wheel, Ball Type	4
6	501764	Nut, M6 Nylocx 6 Thck	1	40	501606	Washer, Flat 8x19x1.6	2
7	579278	Bail Arm Assy, OPC MSV	1	41	503831	Nut, M8 Hex Nyloc 6 Thck	2
8	579782	Cable- Engine, OPC Push On	1	42	579204	Hub Cap, Button Mag Silver	2
8a	773388	Control-Speed x 8 SPV ASSY	1	43	579205	Cover- Inner, Wheel	2
8b	503684	*Screw, Set M6x60	1	44	580030	Bush- Pivot, Axle	2
8c	501764	*Nut, M6 Hex Nyloc	1	45	573814	Rod Assy, Connecting 540 SP	1
8d	573555	Cavo variatore velocità	1	46	573846	Spring, Counter Balance SP	1
9	503883	Bolt, Hex M8x100	1	47	501056	Pin Cotter 2.3Dx16	2
10	501793	Nut, M8 Hex Nyloc 8 Thck	1			__==__	
11	503882	Grommet, Blanking 3/4"(19mm)	2	48	973432	Housing-StlT21"XF FS TTNM	1
12	583351	Mount- Throttle, Top	1	49	581240	Nameplate, Masport	1
13	583340	Cover- Throttle, Bottom	1	50	503150	Clip- Starlock, 5 Dia	2
14	503650	Screw, S/T #12X11/16"	4	51	529674	Retainer- Axle, Front "W"	2
15	583458	Control- Throttle ass'y, Wescon	1	52	581178	Retainer, Axle Rear	2
16	503604	Screw, Pan M6x45 Poz ZP	1	53	501959	Screw, M6x12 Hex	4
17	501764	Nut, M6 Nylocx 6 Thck	1	54	573579	Tunnel- GBox Cover 21" Stl	1
18	703856	Comfort Start Kit	1	55	503834	Screw, S/T M4x10 Washer	3
19	779755	Cam Lock Assy MSV	2	56	580453	Screw, S/T 3/8x1-1/8 UNC TRIBLK	3
20	581527	Retainer- Clutch Cable	1	57	573389	Insert- Mulching, 21" Stl SP	1
21	581660	Disc- Locking, Outer	2	58	573285	Cover Belt 540 ST	1
22	581659	Disc- Locking, Inner	2	59	501959	Screw, Set M 6x12	1
23	982418	Handle- Lower, "U" Adj 19"	1	60	503834	Screw, Set M 4x10	3
24	501597	Screw, Set M8x20 Hex	4	61	501764	Nut, M6 Hex Nyloc	1
25	501606	Washer, Flat 8x19x1.6	4	62	571048	Hook 19/21" Aero Catcher	1
26	501793	Nut, M8 Nylocx 8 Thck	4	63	503591	Screw Pan M6 x 12	3
27	579210	Bracket- Flap, RH 19"	1	64	501703	Washer Flt, 6 x 14 x 1.2	3
28	579209	Bracket- Flap, LH 19"	1	65	501764	Nut M6 Hex Nyloc	3
29	573436	Bracket- RH, 19/21" ST Aero	1			NOT ILLUSTRATED	
30	573435	Bracket- LH, 19/21" ST Aero	1				
		__==__		569324		Owners Manual	1
31	982414	Flap- Assy, Smart Chute MSV	1				
32	583343	*Spring, Flap 19"	1				
33	579208	*Wire- Flap, Pivot 8x320	1				
34	501365	*Clip- Starlock, 5/16"	2				
35	579211	Seal-Flap, Dust Plastic 19"	1				
36	581369	Rivet- Pop 4.8x3.2	2				

Bold Text = Assemblies
Bulleted Text = Items included in Assemblies

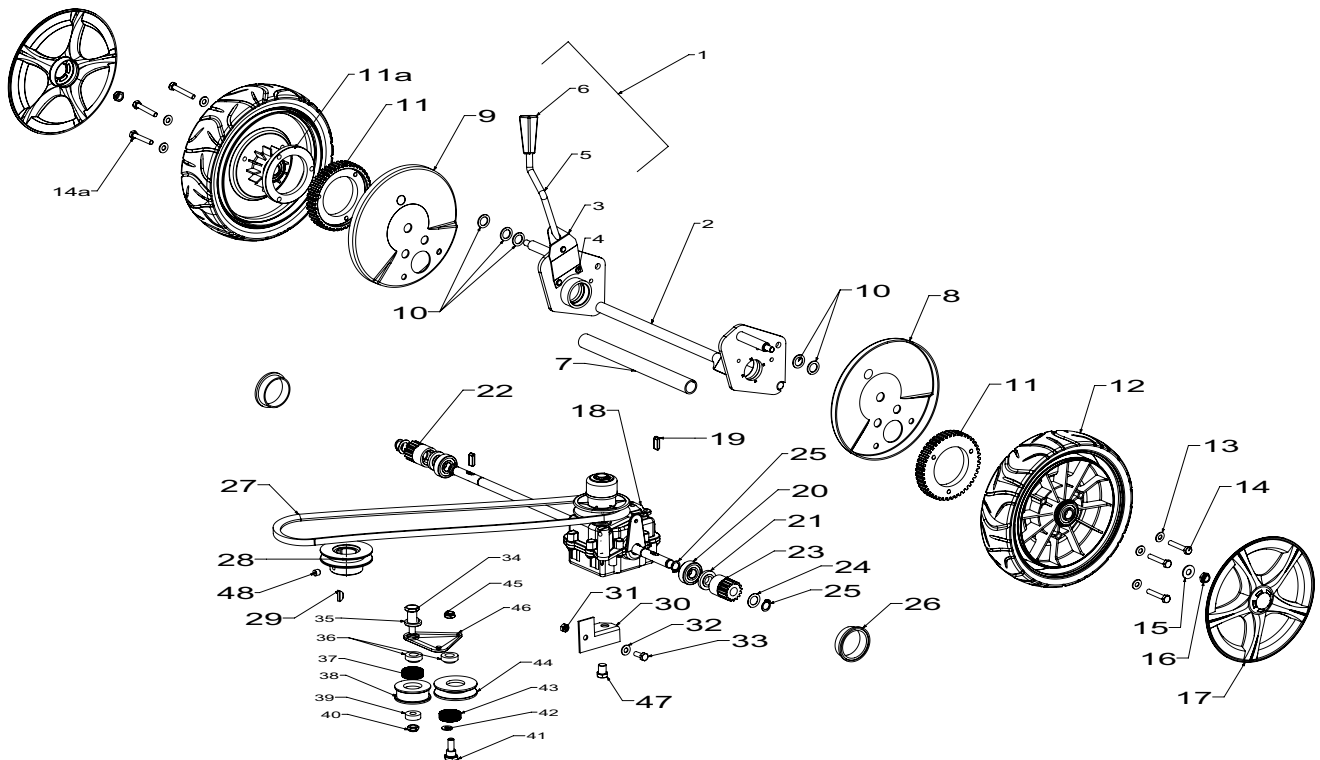
When ordering PLEASE QUOTE PART NUMBER & Description, NOT Illustration No.
Determine right or left hand side from standing in operating position (standing at handle)



800ST MSV SPV
Powered by: B & S XVS 60

Masport

Issue B
July 2011 BH
REF # 779989S

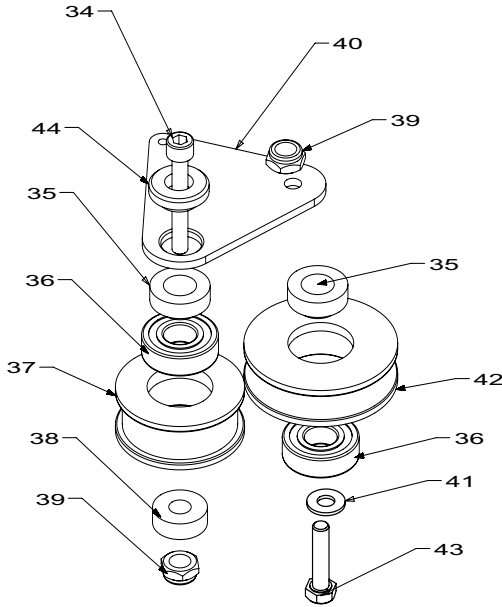


Item No	Part No	Description	Qty	Item No	Part No	Description	Qty
1	773868	Axle Assy-Rear, Complete 21" SP 1		23	569178	Pinion, LH 12 Teeth	1
		incl items 2 - 6		24	503102	Washer, Flat 12x20x0.4	2
2	573868	Axle Assy- Rear, 21" SP	1	25	503759	Circlip, 12 EXT DIN 471	4
3	580649	Spring, Leaf	1	26	580091	Bush- Pivot, Rear Axle	2
4	503373	Rivet-F/HD 3/16x27/64	3	27	573779	Belt- V 3L-978-1385 Gates	1
5	973681	Rod, Height Selector	1	28	573554	Pulley- Eng, 25Bx26.5H SP/CH	1
6	581729	Knob, Height Lever	1	29	503363	Key, Woodruff 5/8x3/16x1/4	1
7	583563	Sleeve, Rear Axle MSV SP	1	30	573394	Mount, Gearbox 21" SPV	1
8	579427	Dust Cover LH	1	31	503973	Nut, M6 Nyloc Flange	1
9	579426	Dust Cover RH	1	32	501703	Washer, Flat 6x14x1.2	1
10	503301	Washer, Flt 1/2x3/4x18G (3 x LH , 3 x RH)	6	33	501702	Screw, Set M6x16 Hex	1
11	569180	Gear, Driving- 45 Teeth	2	34	503961	Screw, Allen Cap M6x45	1
11a	569479	Spacer Gear Driving	1	35	573385	Spacer, Top SPV Drive	1
12	579070	Wheel Assy- 220mm BB MSV SP	2	36	573381	Spacer, SPV Drive	2
13	501703	Washer, Flat 6x14x1.2	6	37	503901	Bearing, 12x28x8 6001 2RSH	1
14	501815	Screw, Set M6x35 LH	3	38	573382	Pulley, Flat Idler SPV	1
14a	503794	Screw, Set M6x40 RH	3	39	573393	Spacer, Bottom SPV Drive 21"	1
15	501606	Washer, Flat 8x19x1.6	2	40	501764	Nut, M6 Nyloc 6 Thck	1
16	503831	Nut, M8 Nyloc 6 Thck	2	41	501963	Screw, Set M6x25	1
17	579207	Hub Cap, 220mm MSV SP	2	42	501703	Washer, Flat 6x14x1.2	1
18	573092	Gear Box, Variable Speed 540	1	43	503901	Bearing, 12x28x8 6001 2RSH	1
19	581092	Pawl, Pinion 950 SP	2	44	573383	Pulley, Vee Idler SPV	1
20	501213	Bearing, 12x32x10 6201 2RS	2	45	501764	Nut, M6 Nyloc 6 Thck	1
21	581093	Cap, Pinion 950 SP Plastic	2	46	573380	Plate Carrier 19" SPV Ali	1
22	569179	Pinion, RH 12 Teeth	1	47	503955	Screw, Set M10x12	1
				48	503386	Screw, Grub M8x8	1

When ordering PLEASE QUOTE PART NUMBER & Description, NOT Illustration No.
Determine right or left hand side from standing in operating position (standing at handle)

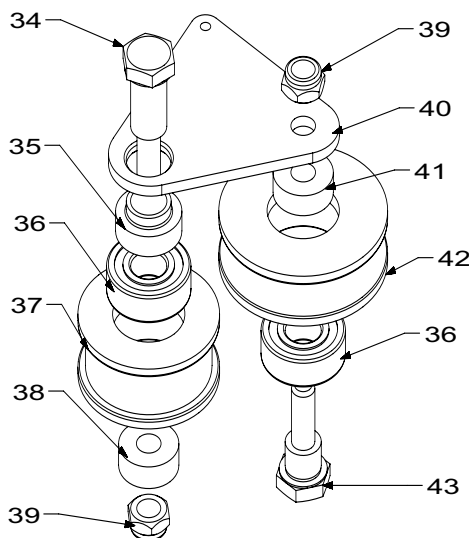


OLD SPV Idler Assembly



Item No	Part No	Description	Qty
34	503961	Screw, Allen Cap M6x45	1
35	573381	Spacer, SPV Drive	2
36	503901	Bearing, 12x28x8 6001 2RSH	2
37	573382	Pulley, Flat Idler SPV	1
38	573393	Spacer, Bottom SPV Drive 21"	1
39	501764	Nut, M6 Nyloc 6 Thck	2
40	573380	Plate Carrier 19" SPV Ali	1
41	501703	Washer, Flat 6x14x1.2	1
42	573383	Pulley, Vee Idler SPV	1
43	501963	Screw, Set M6x25	1
44	573385	Spacer, Top SPV Drive	1
45	501764	Nut, M6 Nyloc 6 Thck	1

NEW SPV Idler Assembly From S/N 7416429 Feb 2011



Item No	Part No	Description	Qty
34	569340	Stud Idler Pulley M8x40.0	1
35	569351	Spacer, Bottom Spv Drive	1
36	503901	BRG,Bal 12x28x8	2
37	573382	Pulley, Flat Idler 19" SPV	1
38	569352	Spacer Bottom,SPV 20x8.2x6.5	1
39	503831	Nut M8 HEX Nyloc 6x6thkzp	2
40	569155	Plate Carrier 19/21 SPV Ali M8	1
41	569135	Spacer Plate, SPV 20 x 8.2x6.0	1
42	573383	Pulley-V,Idler 19 "SPV	1
43	569322	Stud Idler Pulley M8x29.5	1

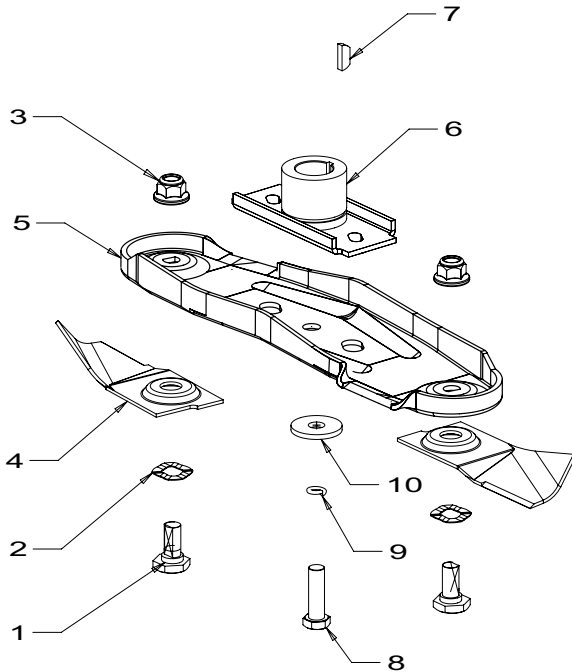


800ST MSV SPV
Powered by: B & S XVS 60

Masport

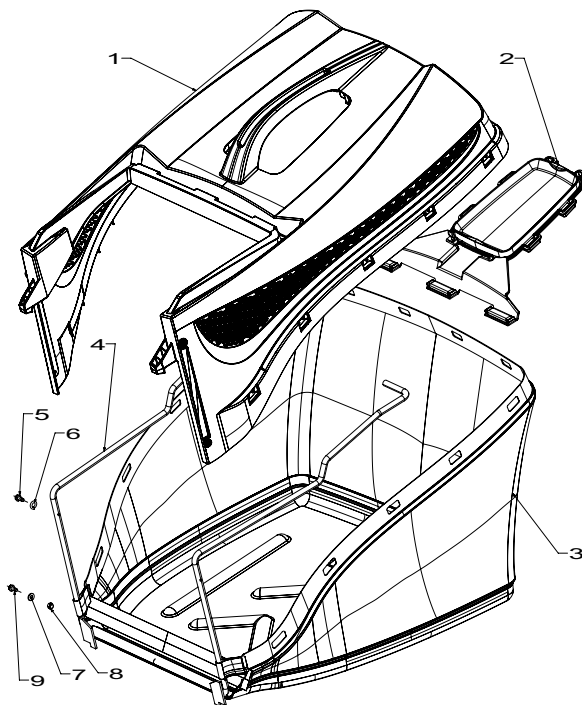
Issue B
July 2011 BH
REF # 779989S

540mm QuickCut Blade Assembly



Item	Part No	Description	Qty
1	581707	Bolt-Blade	2
2	580693	Washer, Wavy 13.4 x 24.2	2
3	503672	Nut, Flange Nyloc M10	2
4	579749	Blade, Quick Cut - 540mm	2
5	580653	Carrier Blade, QuickCut	1
6	031640	Driver Assy 25mm	1
7	503363	Key, Woodruff - 5/8" x 3/16" x 1/4"	1
8	581610	Screw, Set NF 3/8" x 1.25 NYG8	1
9	500204	Washer, Spring 3/8"	1
10	503667	Washer, Flat 9.75 x 30 x 3	1
Not Illustrated			
	779749	Blade, Quick Cut - 540mm (2 per)	1
INCL ITEMS 1 - 4.			

Catcher Assembly Aero 773869



Item	Part No	Description	Qty
1	573373	Catcher, Top 19/21"	1
2	573370	Catcher, Top Insert	1
3	573375	Catcher, Bottom 19/21"	1
4	573841	Catcher, Frame 19/21"	1
5	503834	Screw, S/T M4x10	2
6	501024	Washer- Spg 4	2
7	503593	Washer, Flat 4 x 8 x 1.0	2
8	503875	Nut, M4 Hex Nyloc	2
9	501023	Screw, Set M4x20	2